

SUMMERBOARD

User Manual



Original Instruction
© Copyright Summerboard 2019
GUIDE VERSION 3.03

RoHS / CE CERTIFICATIONS



EC Council Directive 2011/65/EU
Restriction of the Use of Certain Hazardous Substances in
Electrical and Electronic Equipment
IEC 62321-3-1:2013 Ed.1.0, IEC 62321-5:2013 Ed.1.0, IEC
62321-4:2013 Ed.1.0, IEC 62321-7-1:2015 Ed.1.0, IEC
62321-7-2:2017 Ed.1.0, IEC 62321-6:2015 Ed.1.0

Low Voltage Directive 2014/35/EU
EN 60335-1:2012+A11:2014
EN 60335-2-82:2003+A1:2008
EN 62233:2008

EU MD 2006/42/EC
EN ISO 12100:2010
EN 60204-1:2006+A1:2009+AC:2010

CE WARNING:

If giving to someone for the holidays, leave the battery in its partially charged state. Do not take it out of the package to bring it to a full charge and then wrap it back up. Often, the product comes partially charged. Leave it in that state until it is ready to be used.

VIDEO TUTORIALS



This icon indicates a video explanation on the Summerboard TRAINING website.

LIMITED WARRANTY

The Summerboard is covered by a 6 month manufacturer's warranty that covers defects in workmanship and material. This does not cover damage caused by abuse, misuse, negligence, accident, or water damage. Other components on the board may be covered by longer term warranty, and details can be found at Summerboard.com/warranty.

If the product has a manufacturing defect within 90 days of the ship date, contact Support@Summerboard.com before shipping the esnowboard back in order to get a return authorization.

FOR ALL RETURN and WARRANTY SHIPPING:

Please keep your original Summerboard shipping box and packing materials. The warranty does not include damage from shipping in insufficient packaging.

WARNING!

RISK OF DEATH OR SERIOUS INJURY

Whenever you ride a Summerboard esnowboard, you risk death or serious injury from loss of control, collision and falls. To ride safely, you must read and follow all warnings and instructions in the guide and online at www.Summerboard.com.

Avoid water, wet surfaces, slippery or uneven surfaces, steep hills, traffic, cracks, tracks, gravel, rocks, or any obstacles that could cause a loss of traction and cause a fall.

WARNING: Do not ride Summerboard in environments, on inclines, or at speeds where you would not be safely in control of a traditional skateboard or snowboard. In the event of wireless interference or battery fault, you may need to rely on the mechanical braking function and slide to a stop. For more information, visit the online tutorials

WARNING: Properly exit the foot bindings during a fall. Always jump backwards to slide your feet out of the bindings and properly exit the foot bindings during a fall.



WARNING: AVOID SUBMERGING IN WATER! Your Summerboard is not water proof. Electronics, bearings and other components can be damaged. Water damage is not covered under the warranty.

WARNING: PINCH POINTS! Keep fingers, hair, and clothing away from belts, motors, wheels, and all moving parts.

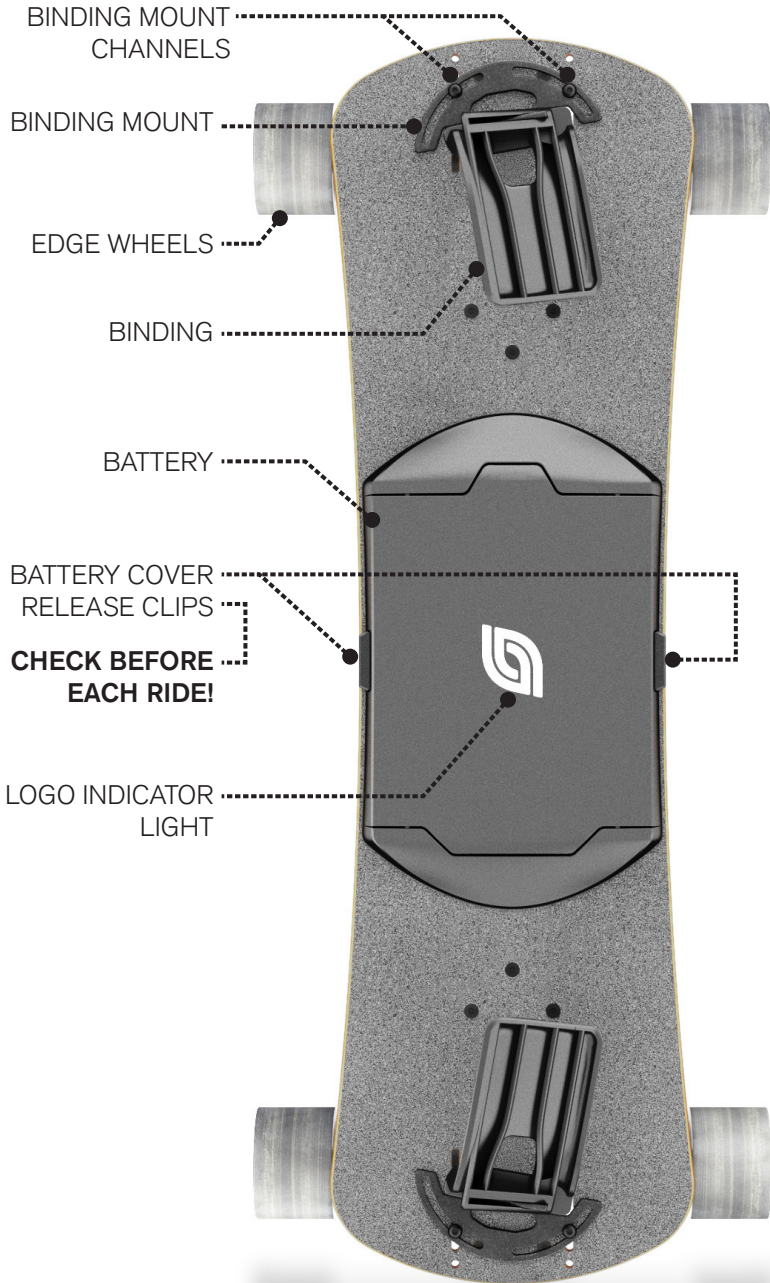
WARNING: RISK OF ELECTRIC SHOCK! Do not open or tamper with electronics housings, which also voids the warranty.

WARNING: AVOID TRAFFIC! Do not ride near vehicular traffic.

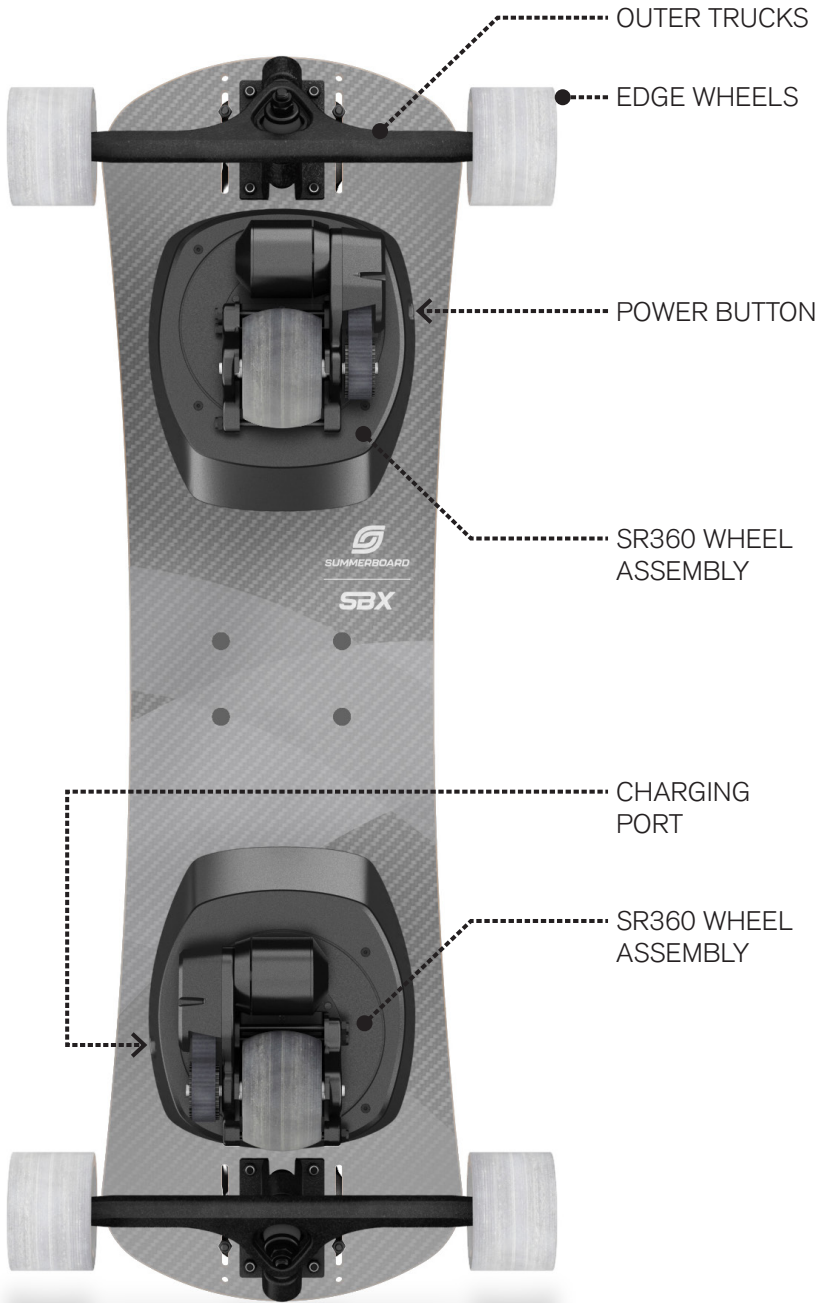
WARNING: ELECTRONIC BRAKES can malfunction due to electrical interference, belts breaking or high speeds. Always use the mechanical braking technique of sliding to stop.

Ride with respect, have fun and help promote snowboarding all year long!

DECK TOP VIEW

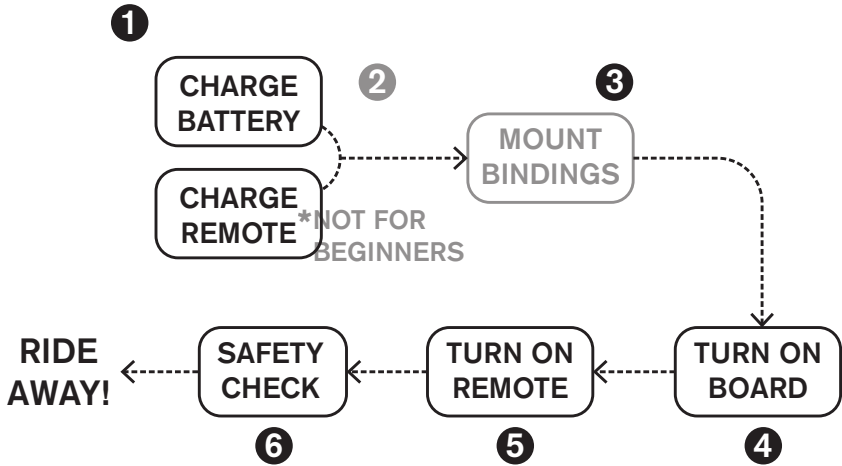


DECK BOTTOM VIEW



QUICK-START PROCESS

READ THE ENTIRE GUIDE BEFORE RIDING!




5-STEP SAFETY CHECK SEQUENCE BEFORE EVERY RIDE:

[Summerboard.com/training](https://www.summerboard.com/training)

1 Remote control and board batteries are fully charged
2 Battery is completely locked down into the top cover and the buttons are fully extended
3 SR360 is free of debris, motorized inner wheels are spinning with no friction, and timing belts are tight
4 SR360 is rotating freely and the outer edge wheels are spinning freely
5 You are using a helmet and safety gear

YOUR FIRST DAY - BEFORE YOU RIDE

Visit  [Summerboard.com/training](https://summerboard.com/training) BEFORE you try riding for the first time. This is a video/instructional process on learning in the most efficient way. **Your first day will be very difficult without this instruction and knowledge.**

ALWAYS WEAR A HELMET!

It is important to wear safety gear when using this device -- a skateboard helmet, and knee and elbow pads and wrist guards for protection from falls.

RIDING TIPS [Summerboard.com/training](https://summerboard.com/training)

Find an open, flat area with smooth pavement and no obstacles for your first ride. Closed basketball courts, tennis courts and parking lots work well for training areas. **Read the warnings on your Summerboard and this entire guide.**

WARNING: The throttle wheel on the remote is sensitive. Avoid getting thrown off the back while riding by following these tips:

- Try using the board without bindings until you can ride comfortably
- Start by moving as slowly as possible
- Move the throttle wheel in small increments
- Adjust the foot bindings to fit a stance that is comfortable for you
- Keep a low center of gravity, keep your knees bent
- Lean slightly backward while using the electronic brake
- The caster wheels must both be facing with the motor in the forward direction, otherwise the board will vibrate and not start from a stop
- A push start is the most effective way to start from a stop. This will ensure a smooth start and also extend battery life

CHARGE BATTERY

[Summerboard.com/training](https://summerboard.com/training)

- 1 ENSURE THE BOARD IS POWERED ON (LOGO LIGHT ON)
****THE BOARD MUST BE POWERED ON TO RECEIVE CHARGE****
- 2 CONNECT CHARGER WIRE TO CHARGING PORT ON UNDERSIDE OF BOARD. THE CHARGING BRICK WILL LIGHT UP **RED** WHILE CHARGING AND WILL TURN **GREEN** WHEN FULLY CHARGED
- 3 WHEN FULLY CHARGED, DISCONNECT CHARGER FROM BOARD



THINGS TO KNOW ABOUT THE BATTERY

- ❗ ALWAYS CHARGE BATTERIES BEFORE STORING, AND CHARGE BATTERIES ONCE EVERY 30 DAYS TO MAINTAIN BATTERY LIFE.
- ❗ Always use care when removing or placing the BATTERY.
- ❗ Perform a “Power Cycle” by removing the battery.
- ❗ Leaving a battery pack plugged into the board for multiple days will drain the battery. Fully charge batteries at least once every 30 days.
- ❗ Do not charge directly after riding. Let the device cool for an hour before charging.
- ❗ Charge and store in an open dry area away from combustibles or items that can catch fire.
- ❗ Do not charge overnight or when you are not able to observe the board.

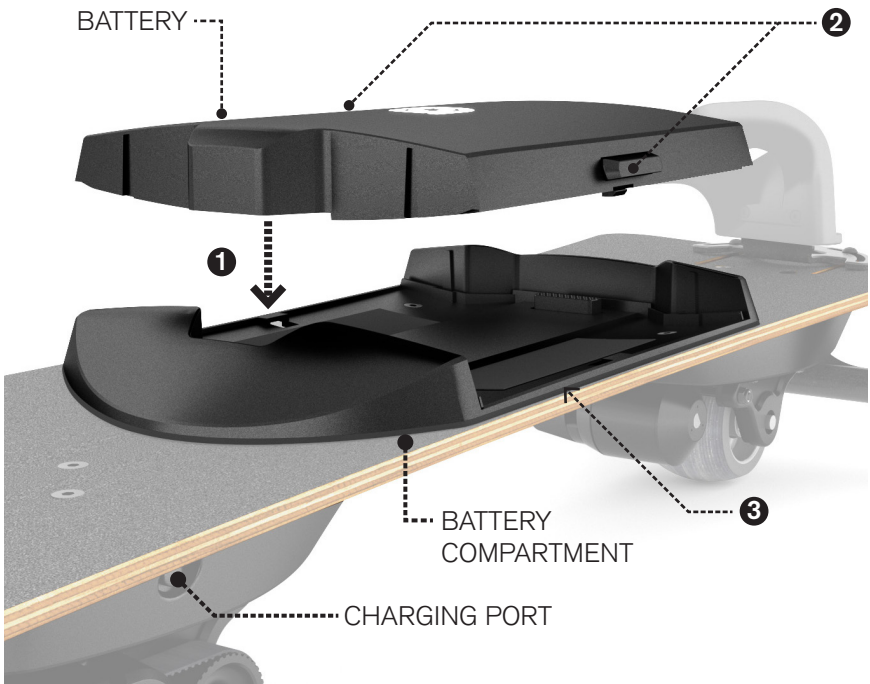
INSERT BATTERY

[Summerboard.com/training](https://www.summerboard.com/training)

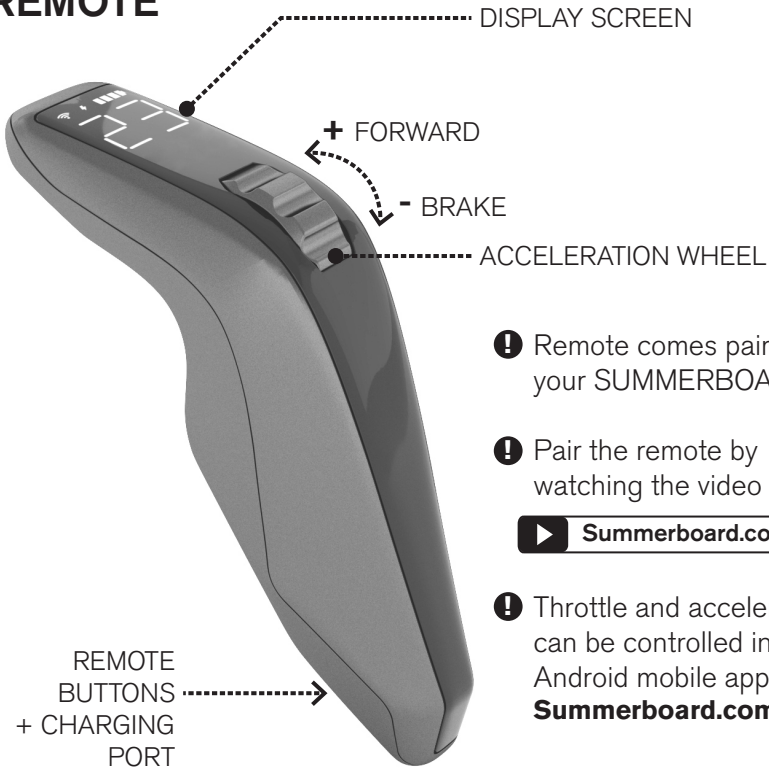
- 1** PUSH BATTERY STRAIGHT DOWN EVENLY INTO BATTERY COMPARTMENT WITH THE BATTERY CONNECTOR LINING UP WITH THE BOARD CONNECTOR.
- 2** PUSH THE SIDE LATCH BUTTONS IN TO PUSH BATTERY ALL THE WAY INTO THE COMPARTMENT.
- 3** CONFIRM THERE IS NO GAP BETWEEN THE BOTTOM OF THE BATTERY AND THE BATTERY COMPARTMENT, AND THE BATTERY LATCH BUTTONS ARE NOT STUCK PUSHED IN.

! HELPFUL TIPS ON REMOVING BATTERY

[Summerboard.com/unboxing](https://www.summerboard.com/unboxing)



REMOTE



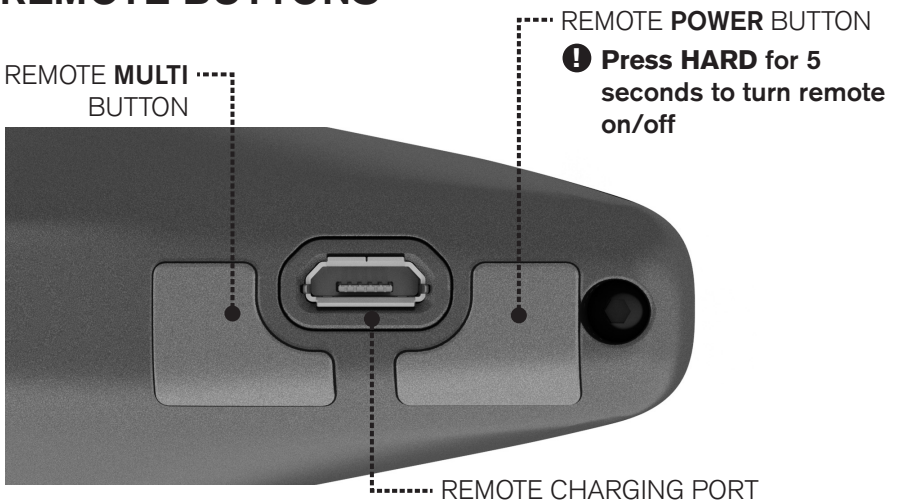
! Remote comes paired to your SUMMERBOARD

! Pair the remote by watching the video

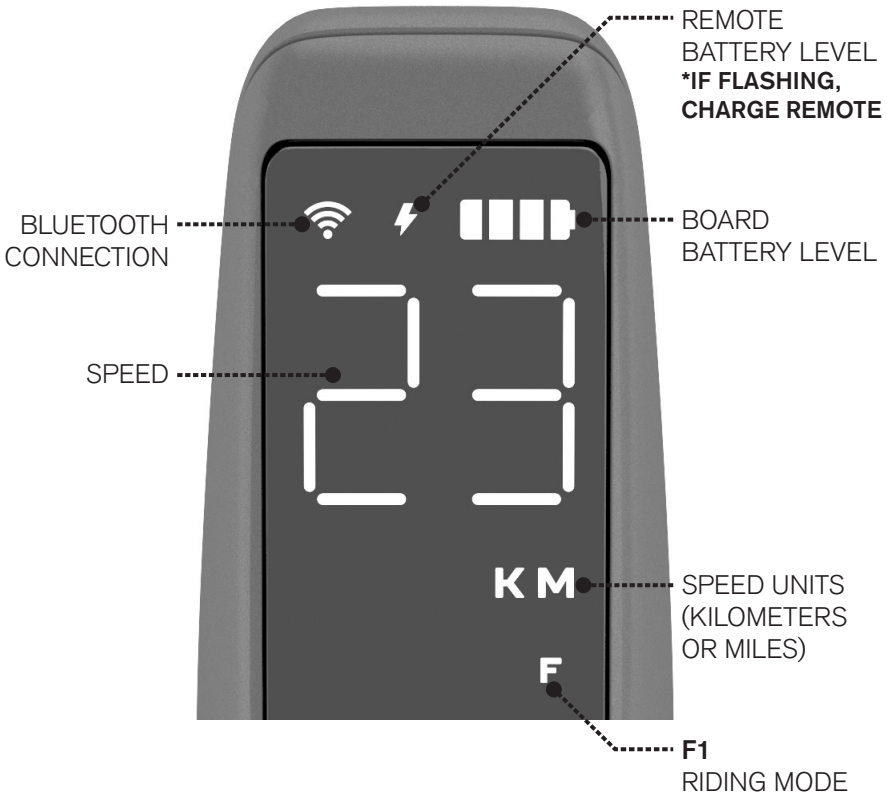
[Summerboard.com/pair](https://summerboard.com/pair)

! Throttle and acceleration can be controlled in the Android mobile app: [Summerboard.com/app](https://summerboard.com/app)

REMOTE BUTTONS



REMOTE DISPLAY



HOW TO USE REMOTE MULTI BUTTON

❗ To change SPEED UNITS, push the MULTI BUTTON

REMOTE CHARGING TIPS

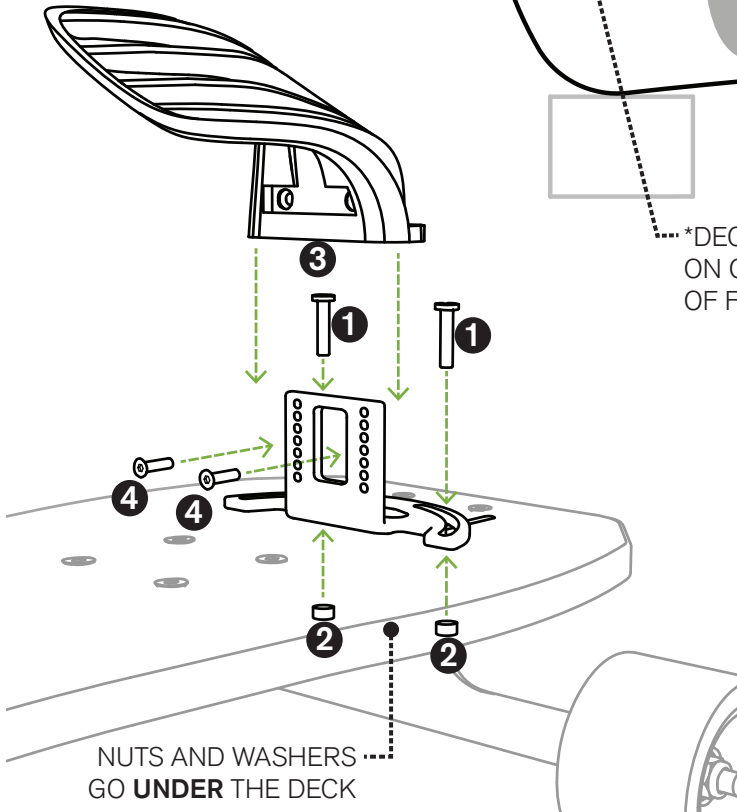
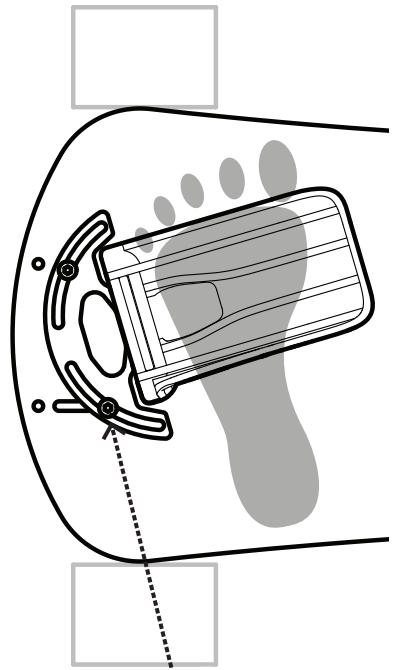
❗ Charge remote for 5+ hours for a full charge

❗ Charge remote after EVERY time you ride

MOUNT BINDINGS

[Summerboard.com/training](https://www.summerboard.com/training)

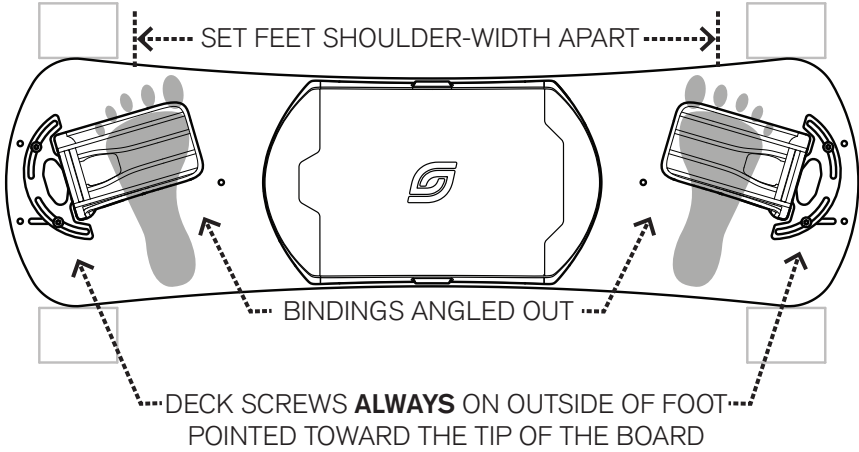
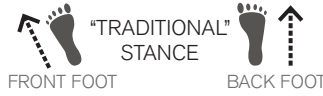
- 1 INSERT TWO DECK SCREWS
- 2 INTO NUTS **UNDER** DECK
- 3 SLIDE ON SUMMERBOARD BINDING AT PREFERRED HEIGHT
- 4 TIGHTEN BINDING SCREWS (2) THRU HOLES IN BINDING AND BASE



SET YOUR STANCE

[▶ Summerboard.com/training](https://summerboard.com/training)

We recommend using “duck footed” angles to position your bindings. this offers maximum stability and binding comfort.



RIDING MODES

[▶ Summerboard.com/training](https://summerboard.com/training)

Create your own RIDING MODE with the custom Android app, available at [Summerboard.com/training](https://summerboard.com/training)

F1 Mode: Maximum acceleration and no traction control. This mode is the most aggressive and responsive to the rider’s control.
THIS IS THE DEFAULT MODE.

RECOMMENDED SERVICE TOOLS

 [Summerboard.com/service](https://summerboard.com/service)

- ❶ SUMMERBOARD SHRED KEY
- ❷ 8MM WRENCH
- ❸ T20 TORX WRENCH
- ❹ SUMMERBOARD SKATE TOOL
- ❺ THREAD-LOCKING LIQUID
(LOCTITE BLUE 242 OR SIMILAR)
Use to secure set screws

TROUBLESHOOTING

 [Summerboard.com/service](https://summerboard.com/service)

CAUSE OF PROBLEM	CORRECTIVE ACTION
General electrical problems, such as board keeps turning off	Run battery all the way down until it will not turn on anymore, then charge back to full.
Board doesn't respond to remote	Verify Bluetooth connection by confirming a light on the wireless icon on the remote. If there is no light, then try pairing and see video at Summerboard.com/pair
Motor noise intermittently while sliding or riding	The slip ring brushes may need to be raised. See the repair video at Summerboard.com/brush
Motor makes noise all the time	Most likely the motor has received physical damage. The motor will continue working despite the noise, but you may also email support@summerboard.com to purchase a replacement.
Foot holds shift while riding	The foot hold mounting nuts and bolts need to be tightened.
Remote won't turn on	Push down VERY HARD on the remote power button for 5 seconds
Board won't charge	Power on the board to charge (ensure the SB logo light on the battery is on)

TROUBLESHOOTING

 [Summerboard.com/service](https://www.summerboard.com/service)

CAUSE OF PROBLEM	CORRECTIVE ACTION
The board is slow or range is very low	Most likely a bearing is causing friction and needs to be replaced. To confirm the bearing is bad, remove the belts and see if the wheel spins freely by spinning with your hand. Replace the bad bearings by undergoing the wheel replacement procedure. Very cold weather will also affect the battery, resulting in lower top speed and lower range.
Loud sound from the belts during riding	Most likely, one of the timing belts has lost its grip and needs to be replaced. Undergo the belt replacement procedure if the belts are worn.
Loose screw(s)	Use thread locking liquid to keep screws from coming loose. Use a very small drop of blue liquid on the screw threads and re-insert screw.
Battery has very little range	If you have confirmed there is no bearing friction happening, then most likely the battery was damaged physically or was damaged from being left plugged into the board overnight.
Motors are making "clicking" sounds	The large pulley set screw is loose. Remove the timing belt cover. Then remove the belt. Then remove the first large pulley set screw and then the second set screw. Add blue loctite to the second large pulley set screw and install. Then add blue loctite to the first large pulley set screw and install. Do not use too much loctite - only one small drop per set screw will do. Then replace the belt and tension properly. Then replace the timing belt cover and test drive. See video at Summerboard.com/click
Motors are making "stuttering" sounds	Motor wire is loose. Check the three (3) wires coming out of the motor and ensure that the bullet connectors on those wires are entirely plugged in.
Squeaky sound coming from drive wheels	The ceramic bearings are dry. Shoot some WD-40 or other lubricant into the drive wheel bearings.

Summerboard ONLINE RESOURCES

SUMMERBOARD ANDROID MOBILE APP:

www.Summerboard.com/app

MAIN WEBSITE:

www.Summerboard.com

TRAINING:

www.Summerboard.com/training

Summerboard ONLINE GUIDE:

www.Summerboard.com/guide

Summerboard INSTAGRAM:

www.instagram.com/Summerboard

Open source code available upon request